

# **Greater Rockford Auto Auction**

## **General Policies and Arbitration Guidelines**

**Effective April 3, 2023**



## General Policies

1. The Greater Rockford Auto Auction (GRAA) is a dealer only auction. Absolutely no retail buyers are allowed on the premises. Only exception is during GSA auctions which are open to the general public.
2. All dealers must be registered with this auction to buy or sell vehicles. Dealers must be registered BEFORE doing any business.
3. GRAA reserves the right to refuse to do business with anyone at any time.
4. All vehicles purchased must be paid for on the day of the sale either by cash, check, wire, or floor plan.
5. The auction assumes absolutely no responsibility for mileage discrepancies. We are only an agent and are not the buyer or seller of the vehicle.
6. No vehicle will be offered for sale without proper serial number identification or correct serial number plate.
7. All dealers and their representatives agree to follow the rules and arbitration policies of this auction at all times.
8. All titles submitted by the seller must be in the seller's company name on the title or reassignment form – alterations, erasures, or damaged titles will not be accepted.
9. All title attached "TA" sales must be announced.
10. Salvage titles, previous salvage titles, rebuilt salvage titles, or junk titles must be announced. (Salvage titled vehicles can only be sold to a licensed salvage dealer.)
11. It is the seller's obligation to correct any errors made by the auction as to announced conditions or information displayed on the vehicle or sale ticket.
12. All vehicles needing fuel will be charged \$5.00 per gallon.
13. All vehicles are subject to search prior to leaving the auction.

14. All consigned vehicles must be run across the auction block. Any outside transactions must be consummated through auction management. All block tickets for outside transactions will show "O.T.B." so all parties involved know this vehicle is sold "Off the Block."
15. All test drives are at the sole risk of the driver. The test track is provided to allow an opportunity to determine general reliability issues. It is not to be used as a race track and/or as a tool to cause damage to a vehicle to allow for arbitration and/or rejection.
16. It is the buyer's responsibility to pay attention to announcements when bidding on a vehicle. If a buyer is unsure why a light is on, he or she must be sure to ask. All announcements must also be printed on the sale ticket.
17. All dealers must have an approved gate pass in order to remove vehicles from GRAA premises. Cars may be dropped off or picked up 24 hours a day, 7 days a week (unless otherwise noted).
18. Vehicles left on auction premises are at the owner's request and risk. All vehicles must have keys in them. GRAA will not be responsible for loss or damage (including lost keys).
19. Changes in dealer registration information such as ownership, authorized buyers, bank, or other pertinent information must be recorded in writing with GRAA and/or Auction ACCESS.
20. GRAA will do everything possible to assist buyers and sellers. Under no circumstances will GRAA be obligated to buy or take possession of any vehicle for any reason.
21. If a purchased vehicle has a correction affidavit attached, GRAA will not be held responsible if the buyer's state does not accept the correction affidavit.
22. All IF transactions are "one way IFs" on selling price only. If selling price is agreed upon by seller, the buyer owns the vehicle, subject to regular auction rules. Selling price must be approved within 3 hours of sale time or transaction then becomes a "2 way IF". Commercial account (Fleet/Lease) IFs are one way until 5:00 p.m. on sale day. Once a deal becomes a 2 way IF, the buyer must notify the IF department in person or by phone to cancel the sale if that is their intention prior to the seller approving the sale price. It is the buyer's responsibility to check on IF status.

GRAA will do its best to notify buyers of IF status, but at no time will GRAA take responsibility if communication is not received for any reason.

23. The NSF check fee for checks returned for nonsufficient funds or for any other reason is \$25.
24. Vehicles sold at the Greater Rockford Auto Auction will be sold under the current National Auto Auction Association Arbitration Policies. Current policy in use has effective date of April 3, 2023.
25. The \$800.00 arbitration threshold is based on labor rates of \$75/hour and a parts estimate of cost plus 10%. Non OEM parts and used parts will be considered and used in estimates when available. All estimates are determined at the sole discretion of the Greater Rockford Auto Auction as arbitrator between buyer and seller.
26. Vehicles can be arbitrated after they leave GRAA property as long as the arbitration meets the time constraints of the policy. Mileage added to a vehicle after time of sale will be reviewed and GRAA has full discretion for eligibility of arbitration due to additional miles a vehicle is driven. Mileage will be taken from GRAA check in odometer reading.
27. Vehicle consigners/sellers have the right to sell any of their vehicles either A/G or AS-IS. This decision is held at the discretion of the consigner/seller.
28. If a seller is not present to represent a vehicle at the time of sale and the seller did not give GRAA direction on how to announce a vehicle, GRAA will use its best judgement for how to announce the vehicle. Generally, but not in every case, GRAA will announce all vehicles under 100,000 miles and under 10 years old as A/G. All vehicles that are over 100,000 miles and/or 10 years old or older will be sold AS-IS. GRAA reserves the right to announce vehicles with its discretion in the absence of information.
29. The Greater Rockford Auto Auction reserves the right to stop payment on any/all checks issued to sellers when there is a pending arbitration associated with the check.
30. Vehicles sold on an "IF" are subject to the regular rules of arbitration. GRAA recommends that buyers with pending "IFs" drive vehicles prior to leaving the auction to be sure to check for arbitratable items.

31. The Greater Rockford Auto Auction does not arbitrate for non-functioning air conditioning systems.
32. Warning Lights: For further clarification of the NAAA Arbitration Policy in reference to Warning Lights, GRAA assumes the right to use discretion in arbitration as it relates to Warning Lights. Some warning lights, as in the case of ABS and Air Bag lights, accurately describe a vehicle condition, while other warning lights, such as check engine lights, are vague in nature and cover a large array of possible defects. The arbitration manager will decide if a warning light accurately describes vehicle mechanical failure at their discretion. Please see arbitration department prior to selling a vehicle with warning lights for proper announcement.
33. All Greater Rockford Auto Auction and National Auto Auction Association general policies and arbitration policies are subject to change/modification at any time without notice.
34. If a vehicle requires an outside inspection to verify any arbitratable condition, the buyer will be responsible for the inspection cost if no problem is found. If the condition is verified, the seller will be held responsible for the cost of the inspection.
35. Vehicles that are unable to be test driven for mechanical reasons or other reasons are subject to automatic arbitration at arbitration manager's discretion.
36. Any vehicle sold for \$3,000 and under in both the in-lane and online sales will be automatically sold As-Is regardless of lights and/or announcements. \*\*Does not apply to GSA Vehicles\*\*
37. All AS-IS vehicles selling for \$3000 and under in both the in-lane and online sales are not subject to arbitration for frame damage.
38. All promotional items, gifts, or prizes offered or won at GRAA are intended for the dealer principal. It is your responsibility to ensure that you are able to accept them on behalf of your dealership. If not, please notify us as we will forward them directly to the dealership.
39. While every effort will be made to correctly identify a vehicle, GRAA cannot and will not be held responsible for errors written or printed on the windshield. It is the buyers and sellers responsibility to verify model year, mileage (read the odometer, not the windshield), and vehicle options such as air conditioning, sound systems, leather upholstery, engine size, and automatic transmission. In the event of a

discrepancy, the Greater Rockford Auto Auction reserves the right to keep a vehicle sold or no sale a vehicle based upon the discrepancy. Incorrectly badged vehicles are subject to arbitration.

40. Collections: In the event that an unpaid balance for any customer is placed for collections, with any 3rd party collection agency, and/or placed with an attorney to obtain judgment or otherwise satisfy payment of the account, all collection costs, attorney fees, filing fees, interest, and court costs will be added to the total amount due.
41. Seller has a maximum of 30 calendar days for a title to be received by the auction on vehicles sold title attached. See NAAA arbitration policies for full rules and details. The Greater Rockford Auto Auction's title policy states that after 30 days (if announced "title attached"), a vehicle may be returned and the deal reversed if the vehicle is at GRAA for return prior to the title. If the title is at GRAA prior to the vehicle, then the vehicle will remain sold and not be subject to rejection or reversal.
42. All trailers, RV's, watercraft, ATV's and motorcycles must be sold AS-IS.
43. Late Fees: Vehicles not paid for within 7 days of sale (Tuesday following the sale by 3:30 PM) are subject to late charges as stated below. Fees are tiered according to total due per vehicle for every 7 days they are not paid for. A late fee is not a float fee and does not eliminate the responsibility of paying off a vehicle in a timely manner.
  - 0-1500: \$ 40 every 7 days
  - 1501-5000: \$ 50 every 7 days
  - 5001-10000: \$ 55 every 7 days
  - 10001-15000: \$ 60 every 7 days
  - 15001-25000 : \$ 70 every 7 days
  - 25001+: \$80 every 7 days
44. GRAA does not require the announcement of 3<sup>rd</sup> party remarketers on consigned vehicles.
45. GRAA is not responsible for announcement or repair of any/all open manufacturer recalls on vehicles consigned or purchased here at GRAA.
46. GRAA insures accuracy of arbitration decisions that are made. In the event that a mistake has been made, the vehicle must be brought back to GRAA for review within 7 days of the vehicle sale date.

47. GRAA sells vehicles at times on OVE, SmartAuction, and additional platforms. These static posting websites abide by their own individual arbitration policies and are accepted by GRAA as the governing arbitration policy when a vehicle is sold on one of the static posting websites.
48. Vehicles must be physically presented to arbitration by 5 PM on day of sale for all sale day only arbitrations.
49. All vehicles floorplanned with an outside floorplan company will be charged a \$25 floorplan fee.
50. Vehicles that are repeat arbitrations or rejected in arbitration multiple times for the same reason by the same seller are subject to an arbitration charge of \$50.
51. Vehicles left inside or outside the gate at GRAA are subject to storage fees.
52. GRAA has the right to choose what forms of payment are acceptable per individual customer.
53. Vehicles sold for \$75,000 or more must be paid for with **cleared funds** prior to vehicle release.
54. GRAA will accept no responsibility for vehicles left on the GRAA lot for more than 14 days. This includes lost keys and any/all lot damage for consigned and purchased vehicles.
55. Sellers are not allowed to bid on their consigned vehicles in an attempt to raise bidding activity. GRAA has the right to no sale any transaction at GRAA management discretion for this reason.
56. GRAA is not responsible for vehicles damaged due to all acts of civil unrest and/or riot.
57. Vehicles sold in the video/inoperable sale with missing engines and/or transmissions must be announced as such. Dismantled engines may be required to be announced depending on severity and will be up to auction management discretion. Arbitration for all such matters end at 5 PM day of sale.

58. GRAA will take no responsibility for any vehicle mechanical issues and/or breakdowns that occur on the lot.
59. GRAA will take no responsibility for any mechanical issues and/or breakdowns that take place while transporting your vehicles. We are offering a transport service and cannot guarantee mechanical reliability. All necessary fluids will be checked (if accessible to the driver) before every vehicle is driven. If a vehicle starts to exhibit concerns, we will shut down the vehicle immediately and call for a tow truck to finish the transport.
60. All vehicles sold Title Attached will be charged \$50 to the seller if the title is not received within 30 days. If the vehicle is returned lack of title, the selling dealer will be charged an additional \$100.
61. It is the buyer's responsibility to select any/all PSI services desired via block ticket at time of signing.
62. Simulcast buyers will be charged a convenience fee on all transactions and a mechanical PSI on all AG vehicle transactions. Pricing subject to change at any time.
63. GRAA will charge 3% for all credit card transactions.
64. When you attend an event at the Greater Rockford Auto Auction, you enter an area where photography and video recording may occur. By entering GRAA, you consent to such recording media and its release, publication, exhibition or reproduction. If you have any questions or concerns about waving these rights, please contact our General Manager.
65. Per Illinois state laws, all out of state buyers must have Illinois titles from purchased vehicles mailed to their home state mailing address. These titles are not available for over the counter pick up. Unless otherwise requested, all titles are sent 2 day FedEx. The buyer is responsible for all shipping costs.
66. For purposes of arbitration, sale day is Day 1. Day 7 Ends at 5 PM Tuesday.
67. Oil Leaks: For further clarification of the NAAA Arbitration Policy in reference to Oils Leaks, GRAA assumes the right to use discretion in arbitration as it relates to Oil Leaks. Oil leaks will not be arbitrated unless they are excessive. Seepage and dripping oil will not be arbitrated. GRAA arbitration will make the final



determination of whether or not an oil leak is rejectable. The \$800 threshold for repairs will also apply.

### **Post Sale Inspections (PSI):**

-Post Sale Inspections are completed according to GRAA/NAAA arbitration guidelines.

-Due diligence is performed to insure that vehicles are inspected properly. Please keep in mind that things can be missed and this inspection is a convenience, not a guarantee past your 7-day time frame. You have an obligation as a buyer to check your vehicles.

-Some exclusions may apply for PSI's on highline and specialty vehicles at auction management discretion.

### **Odometers**

The Greater Rockford Auto Auction (GRAA) assumes absolutely no responsibility for the accuracy of odometer mileage or the validity of the mileage statement provided by the seller to the buyer.

The seller must announce the following: (failure to announce is grounds for rejection)

- If the odometer is not working properly
- If he or she has knowledge that mileage on the vehicle is different than what is on the odometer

Vehicles sold "as is" are not exempt from odometer requirements

All vehicles must comply with Federal Law

"Actual Miles"

"Not Actual"

"Miles Exempt – Mileage Not Required"

It is the buyer's responsibility to verify that the mileage on the odometer is as stated on the odometer statement.

Miles exempt supersedes ALL odometer disclosures unless the seller announces "Actual Mileage".

**Inoperative Odometers:** For further clarification of the NAAA Arbitration Policy in reference to Inoperative Odometers. Inoperative odometers will not be subject to arbitration on vehicles that are sold Miles Exempt on the basis of mileage discrepancies. Exempt vehicles will only be arbitratable for inoperative odometers on the basis of the \$800 threshold for mechanical repair for green light/AG vehicles.

**Announcing a vehicle miles exempt supersedes all mileage concerns, including but not limited to inoperable odometers.**

**The Greater Rockford Auto Auction will announce mileage issues as a courtesy on exempt vehicles that GRAA is made aware of from AutoCheck. GRAA does not use CARFAX. These announcements are made as a courtesy only and at no time is a mileage exempt vehicle arbitratable for any mileage issues if the announcement is not made due to the vehicle history or mistake/negligence of GRAA.**

As a convenience to our customers, mileage is written on the windshield of consigned vehicles. Any error, discrepancy, or mistake is unintentional and is not reason for arbitration or rejection. **READ THE ODOMETER, NOT THE WINDSHIELD.**

In order to protect our customers from buying vehicles with tampered odometers, we reserve the right to do the following:

1. Suspend a dealer guilty of knowingly selling vehicles with tampered odometers.
2. Any dealer, regardless of guilt, who sells a vehicle where odometer tampering can be confirmed will be required to repurchase the vehicle and reimburse the buyer and auction for handling expenses.
3. Check titles closely for alterations and erasures. If GRAA feels an altered title was knowingly presented for processing, the dealer's trading privileges will be suspended.



*The Gold Standard*  
– Since 1948 –

---

Standards

# ARBITRATION POLICY

**In-Lane and Online**

**EFFECTIVE DATE:  
April 3, 2023**



*The Gold Standard*  
– Since 1948 –

# Arbitration Policy

Effective Date: April 3, 2023

---

## I. General Policies:

### 1. Fair and Ethical Sale

The sales made at an Auction are intended to promote fair and ethical treatment to both the Buyer and Seller. If Auction determines that the transaction is not fair and ethical to either party, the Seller and the Buyer agree that Auction may cancel the sale, at its sole discretion. Federal, State, and Local laws supersede these policies where applicable.

### 2. Auction Role in Sale:

- a. Auction makes no representations or guarantees on any vehicle sold or offered for sale.
- b. Auction is not a party to the contract of the sale. The sales contract is between the Seller and Buyer only.
- c. All vehicles bought or sold on the premises must be processed through the Auction office. Failure to do so will result in suspension of trading privileges at Auction.
- d. Auction reserves the right to review any audio/video documentation to verify the accuracy of a sale.
- e. Any vehicle consigned with the Auction is subject to government inspection, with or without prior notice, by the FBI, State Police, National Auto Theft Bureau, Local Police Authorities, any other governmental agency, or quasi-governmental agency.

### 3. Auction VIN Policies

All vehicles consigned must have a visible public Vehicle Identification Number (VIN) plate attached to the vehicle by the manufacturer or state inspector (state reassigned VIN only). Those vehicles having a reassigned VIN plate by the State in place of the original VIN plate must be announced or will be subject to sale cancellation or Buyer return. Auction reserves the right to refuse the sale of any vehicle in which the VIN plate appears to be altered in any way.



The Gold Standard  
– Since 1948 –

# Arbitration Policy

Effective Date: April 3, 2023

## II. Sale Light System:

Auction has a standard light/video display system to describe the condition and/or disclosures related to the vehicle being sold. The system is defined as:

1. **Green Light – Ride and Drive:** The green light signals that this vehicle is guaranteed under the conditions outlined in this policy by the seller. Any defects or issues requiring disclosure per this policy should be announced using the green and yellow lights.
2. **Yellow Light – Limited Guarantee:** This light is an indication to the Buyer that the Auctioneer or Selling Representative has made announcements that qualify/clarify the condition or equipment and limit arbitration of this vehicle in conjunction with the green light or when “limited guarantee” is announced.
3. **Red Light – Limited As-Is:** Vehicles selling under the red light will only qualify for arbitration under the rules outlined in this policy. (As-Is dollar amount, model years, and mileage are subject to local auction policy).
4. **Blue Light Title Attached/Title Unavailable/Title Absent:** This light is used to announce that the title is not present (auction managed location) at the time of the sale. For Auction rules regarding titles please refer to the Title Arbitration Policy section. If “title attached/unavailable/absent” is not announced, a vehicle could be arbitrated for no title in the absence of auction company policy.

Announcement /Light Legend			
Announcements:	Light Usage Recommendation		
	Green	Yellow	Red
<i>Ride &amp; Drive Only</i>	✓	N/A	N/A
<i>Ride &amp; Drive with Caution Announcement</i>	✓	✓	N/A
<i>Limited Guarantee Only</i>	N/A	✓	N/A
<i>Limited As-is Only</i>	N/A	N/A	✓



*The Gold Standard*  
– Since 1948 –

# Arbitration Policy

Effective Date: April 3, 2023

---

## III. Seller Responsibilities:

1. Seller will be held responsible for the accuracy and completeness of all representations or descriptions. This includes handouts, catalogues, vehicle markings, condition information or vehicle listings and verbal or written statements made by Seller, Auction, Auctioneer or Selling Representative at the time of sale. This includes the condition report written by or on behalf of the seller as per the "NAAA Generic Condition Report Position Statement". The Seller understands that the sale light/video display is a binding arbitration representation of vehicle condition, and is therefore responsible for ensuring that their vehicles sell under the correct light in the lane.
2. Mileage announcements are not required for vehicles that are deemed exempt from Odometer and Title disclosure laws unless a mileage discrepancy is known or apparent to the seller. The Seller may represent miles on exempt vehicles; any disclosures made by the Seller and all known odometer discrepancies are grounds for arbitration.
3. Title discrepancies must be announced including, but not limited to: not actual miles, salvage, theft recovery, stolen vehicle, flood damage, Lemon Law buybacks and trade assist.
4. If a vehicle is being offered for sale by a third party, an announcement of "3rd Party Seller" is required. Disclosure requirements and time limits are subject to local auction policy.
5. Announcements are required for any matters that relate to the safety or integrity of the vehicle including as per the stated dollar threshold and disclosure requirements stated in this policy, all requirements under local, state or federal statutes or regulations. Announcements must be made both verbally and disclosed on the auction invoice/sale contract/bill of sale or equivalent document in a physical or online auction environment.
6. The announcement of the presence of warning lights does not exempt a Seller from arbitration responsibilities as defined by the policy. The issue/defect found to be the cause of the light may be arbitrated within the stated time period and dollar amount threshold according to Appendix 1.
7. The availability of a manufacturer's warranty shall not affect a Buyer's right to arbitrate a vehicle. Regardless of the warranty coverage in terms of the root cause of the complaint, an announcement may be required.
8. In the event of a successful arbitration by the Buyer, the Seller is responsible for reimbursement of all reasonable documented expenses incurred by the Buyer (excluding profit, commissions and detail charges) on vehicles arbitrated for undisclosed conditions. Reimbursements that qualify under these guidelines will be at the sole discretion of the Auction and will be limited to the reasonable and documented expenses at auction (wholesale) repair cost.
9. Seller will not be paid for vehicles in arbitration until arbitration is settled and vehicles are sold. For arbitrations occurring after the seller has been paid, seller is required to promptly return the payment to the auction if the transaction is voided as a result of arbitration.



*The Gold Standard*  
– Since 1948 –

# Arbitration Policy

Effective Date: April 3, 2023

---

## iv. Buyer Responsibilities:

1. Prior to placing bids, the Buyer is responsible for inspecting the vehicle, listening to and reviewing any verbal or written announcements and disclosures made by the Seller, Auction, Auctioneer or Selling representative. Buyers are also responsible for reviewing all pertinent information available online, including, but not limited to, announcements, disclosures, condition reports, pictures and online listings. Buyers are also responsible for observing and understanding the sale lights (Green, Green/Yellow, Yellow, Red, and/or Blue), which identify various sale conditions for the vehicle. Once the vehicle is sold, the Buyer must review the Auction sales receipt or appropriate document to confirm the vehicle price, disclosures and announcements are correct before legibly printing and signing their name or digitally/electronically signing the Auction sales receipt or appropriate document.
2. It is strongly encouraged that a Buyer should have a Post Sale Inspection (PSI), warranty or assurance product from the auction on vehicles purchased.
3. Buyer agrees to be liable for any and all work done to a vehicle (including a vehicle purchased as title attached, unavailable or absent) prior to returning the vehicle to Auction except on vehicles arbitrated for undisclosed conditions not detectable through vehicle inspection, including but not limited to, not actual miles, salvage, theft recovery, stolen vehicle, flood damage, Lemon Law buybacks and trade assist.
4. The Buyer is financially responsible for any pending sale and assumes all risk of loss until arbitration is final.
5. The Buyer or Buyer's agent (transporter or driver) must document any damage on the gate release prior to removing the vehicle from the Auction or facilitation service provider's location. Auction or facilitation service provider and Seller will not be responsible for any damage not identified on the gate release once the vehicle is removed from the location.
6. The Buyer shall not surrender possession of the vehicle to any claimant, except as required by legal process, nor shall Buyer voluntarily pay or acknowledge the validity of any claim, without the prior approval of Auction. Time is of the essence. Any failure on the part of the Buyer, after becoming aware of said claim, to notify Auction of any claim in a timely manner or failure of the Buyer to cooperate in defending any such claim shall relieve Auction and seller of any liability under this policy.
7. A vehicle is not considered returned until received, inspected and approved for return by Auction management. Any vehicle returned must be in the same or better condition as when sold. Any vehicles delivered to and left on Auction premises without Auction approval remain the sole responsibility of the Buyer. Buyer assumes all risk of loss. Vehicle must be returned in a timely manner consistent with Auction direction.
8. Vehicles with over (auction choice) miles from when sold are not eligible for arbitration.
9. The Seller/Auction shall not be liable for any vehicle sale or repairs made by the Buyer before the title is received by the Buyer. If the title has been mailed from Auction to Buyer, Buyer may not return vehicle. If the Seller presents a valid negotiable title to the Auction within close of business on the next day (excluding weekends and auction observed holidays) from the time that the Buyer notifies the auction of their intent to return the vehicle, then the transaction will stand.



*The Gold Standard*  
– Since 1948 –

# Arbitration Policy

Effective Date: April 3, 2023

---

## v. Title Arbitration Policy:

1. All titles submitted by Seller must be in Seller's company name on title or on a properly executed reassignment form. The Seller guarantees the titles of vehicles that are sold through Auction. This guarantee of the title warrants that the title shall be marketable and free and clear of all liens and encumbrances. This includes any brand (such as "salvage") noted upon the current or any prior certificate of title unless such encumbrances were announced at the time the vehicle is sold through Auction and for a period of four (4) years from the date of sale. Seller's liability under this title guarantee shall never exceed the Auction sale price (the "maximum amount") of the vehicle, and this maximum amount shall be reduced by two percent (2%) per month following Auction sale date. All liability under this title guarantee shall expire and terminate four (4) years after Auction sale date. Auction will not be responsible for any expenses incurred on vehicles returned for late title.
2. Seller warrants, represents and guarantees possession and conveyance of a certificate of title, properly executed, valid in the state where the transaction is occurring and clear of all liens and encumbrances (except current year DMV fees in California), and seller warrants and will defend the title against the claims and demands of all persons whatsoever.
3. Seller will ensure that the title must be reassigned directly to Buyer. Any title assigned directly to facilitating auction will not be accepted.
4. Seller will not be paid for vehicles until a transferable title is received.
5. Auction accepts no responsibility for non-titled vehicles sold without title. Seller must announce the vehicle being sold with a bill of sale only and that there is no title to transfer. All non-titled vehicles and equipment will be sold "Limited As-Is."
6. If the title problem is due to a clerical or coding error, or incomplete documentation, Auction shall be given reasonable time after receiving notice to have the error corrected.
7. Applications or other documents related to a duplicate title will not be accepted, unless announced as such or if allowed by the appropriate jurisdiction.
8. Where legal by municipal and/or state law, any vehicle being offered for sale with a foreign (non-US) title, must be disclosed prior to the sale by the seller. Disclosure requirements and time limits are subject to local auction title policy. Vehicle must be legal to sell in the United States.
9. Seller has up to a maximum of [see individual Auction Company's Title Policy (Auction Choice)] calendar days for title to be received by Auction. (Sale day is Day 1). After (Auction Choice) calendar day period, it is the Buyer's option to return the vehicle or wait a reasonable period of time for the title. If, after 90 calendar days, Seller has not produced negotiable title and Buyer has not returned the vehicle, this title guarantee shall not apply and Auction shall have no duty to produce the certificate of title to the Buyer and shall have no duty to pay Seller.
10. Vehicles lacking a properly assigned title or reassignment to transfer a title at time of sale must sell "Title Attached/Title Unavailable/Title Absent," with the Blue light on.
11. Vehicles lacking lien release or a valid repo affidavit for a repossessed vehicle (where allowed by law) must be sold "Title Attached/Title Unavailable/Title Absent," with the Blue light on.





*The Gold Standard*  
– Since 1948 –

# Arbitration Policy

Effective Date: April 3, 2023

12. In regard to defect in title, and in any matter relating to odometer mileage, odometer statements, or damage disclosure statements: Seller and Buyer agree to indemnify and hold harmless Auction from any liability, loss costs, damage or expense, including attorney fees which may arise either directly or indirectly from the sale and purchase of the consigned vehicle including but not limited to title services provided.
13. Whenever any claim is made by any person against the title of a vehicle, whether by suit or otherwise, the Buyer, after becoming aware of said claim, shall immediately notify Auction. This involves giving full particulars of claim, cooperating fully in defending any legal action, and in taking other steps to minimize possible loss.
14. For vehicles sold with a Manufacturer/Lemon Law Buyback disclosure, the Seller must also disclose any contingencies or additional requirements that the buyer must meet to receive Title. (E.g., Signed disclosures or acknowledgements from subsequent retail buyers).

## VI. Previous Canadian and/or Grey Market Vehicles:

1. A "Previous Canadian" disclosure is required for any vehicle (regardless of manufacturing origin) having been registered in a Canadian province. Additional announcements may be required as well due to the use in Canada (i.e. Full or partial voided warranty, foreign title and etc.)
2. Any vehicle not originally built to U.S. specifications can, under certain circumstances, be imported through a registered importer who modifies the vehicle to comply with U.S. equipment and safety regulations (DOT and NHTSA) and then certifies it as compliant, and an

independent commercial importer who modifies the vehicle to comply with U.S. emissions regulations and then certifies it as compliant. Only vehicles properly converted to U.S. specifications can be sold and must be announced as such.

### 3. Required Conversion

- a. All other vehicles imported must be imported through a Registered Importer. Registered Importers are required to post a bond with the U.S. Department of Transportation and/or National Highway Transportation Safety Administration. All vehicles imported through a Registered Importer must have:
  - i. U.S. Safety Standard Certification Label that identifies the Registered Importer
  - ii. Valid U.S. Title or Legal Foreign Title
  - iii. Meet ALL Federal NHTSA, D.O.T. and/or E.P.A. Mandated Guidelines
  - iv. Documentation must be provided at any time by seller.
  - v. Cleared the mandated wait time.
- b. All vehicles, whether imported by a Manufacturer or a Registered Importer, must show miles per hour on the speedometer and miles traveled on the odometer. Title 49, United States Code, Chapter 327, Section 32704, allows replacement odometers without a door frame sticker if the conversion from kilometers to miles can be done without changing the distance traveled by the vehicle; therefore, replacement of an odometer under these circumstances does not have to be announced by the Seller.



*The Gold Standard*  
– Since 1948 –

# Arbitration Policy

Effective Date: April 3, 2023

---

---

## VII. Arbitration Guidelines:

Vehicles that have any of the defects outlined in Appendix I that were not disclosed by the seller or announced at the time of sale must be reported to Auction within the time frame noted below in order to be eligible for arbitration. Vehicles must be returned to Auction in the same or better condition than when purchased with no more than (auction choice) miles.

- 1. Time Period:** Refer to Appendix I for arbitration time periods. Sale day is Day 1. Arbitration shall end at the close of business as determined by each Auction on the last calendar day in the time period.
- 2. Process:** Any single mechanical defect that has a repair cost of \$800 or more is subject to arbitration on vehicles sold under qualifying lights and lack of announcement by the seller per Appendix I. Each vehicle transaction is allowed one chance at arbitration. The arbitrator will inspect only the defect that is on the initial arbitration claim. Repair costs will be determined by the auction and will reflect the auction cost to repair. If price adjustment is made and accepted, vehicle becomes property of the Buyer, and is not subject to any further arbitration. The auction management makes the binding decision upon both the Buyer and Seller on all arbitration matters.
- 3. Fees:** Auction reserves the right to assess an arbitration fee to the Buyer. If the arbitration is valid, Auction reserves the right to assess an arbitration fee to the Seller in addition to any charges associated with the arbitration.
- 4. Not subject to arbitration:**
  - a. Vehicles exceeding 20 model years, with the exception of trailers, RVs, and watercraft, which cannot be arbitrated if they exceed 10 model years.
  - b. Kit vehicles, homemade vehicles, or modified vehicles are sold "As-Is" and cannot be arbitrated for odometer, structural issues, warranty books, or model year.
- c. Inherent Conditions: No arbitration can be based on conditions that are inherent or typical to a particular model or manufacturer. Manufacturer warranty guidelines will be used where applicable to determine whether the condition is inherent. Additional resources can be found on NAAA's Standards page at [www.NAAA.com](http://www.NAAA.com).
- d. Manual Transmissions: Vehicles with standard (full or partial shift) transmissions cannot be arbitrated for manual clutch assemblies unless the defect will not allow a safe test drive.
- e. Wearable Items: Auction will not arbitrate vehicles for wearable items normally worn vs excessively worn or inoperative (not inherent). For purposes of this policy wearable items are defined as parts of the vehicle that the manufacturer recognizes the need for replacement/adjustment during the expected life of the vehicle driven the average miles per model year (15k). These items are normally identified in the Owner's Manual for routine check and replacement and would include, but are not limited to, air ride suspensions, other suspension components, tires, wipers, brake pads, shoes, rotors, belts, hoses, lubricants/fluids, timing belts, bulbs, filters, shocks and struts.
- f. Unsafe vehicles: Auction reserves the right to reject any vehicle that management judges to be unsafe.
- g. Vehicles may not be arbitrated based solely upon information provided in Electronic Data Vehicle Histories (EDVH) or printed EDVH reports. Auction and Seller are not bound by information listed in EDVH. Examples of EDVH include Carfax, AutoCheck, NMVTIS, etc. The facilitating Auction may investigate vehicle history based on information found in EDVH for information that may impact arbitration.
- h. Auction is not bound by vehicle grades or other types of scoring systems placed upon the vehicle. Buyers may only arbitrate a vehicle based upon damage or defects that



*The Gold Standard*  
– Since 1948 –

# Arbitration Policy

Effective Date: April 3, 2023

---

were present at the time of the sale of the vehicle.

- i. Vehicles with more than (auction choice) miles from time of sale.
- j. Vehicle Accessories on vehicles over 4 years old. For this policy, a Vehicle Accessory is defined as "optional or non-essential equipment or components that are not required for the basic operation and function of the vehicle." Accessory examples include Entertainment Systems, Power Windows, Heated Seats, Navigations Systems, Sunroofs/Moonroofs, etc. Furthermore, the determination of four (4) years will be based on calendar years. For example, as of 2023, accessories on vehicle model years of 2019 and earlier would not be subject to arbitration.
- k. Oil leaks that are NOT actively dripping and visible by inspection.



The Gold Standard  
- Since 1948 -

# Arbitration Policy

Effective Date: April 3, 2023

NAAA Seller Disclosure/Announcement	National Arbitration Policy Guidelines APPENDIX I						Effective Date
	Disclosure/Announcement Required			Arbitration Time Periods			April 3, 2023
	Green Light Only	Yellow Light Only	Red Light Only	Green Light Only	Yellow Light Only	Red Light Only	
	"Ride & Drive"	"Limited Guarantee"	"Limited As-Is"	"Ride & Drive"	"Limited Guarantee"	"Limited As-Is"	
<b>Major Components</b>							
Engine Problem*	YES	YES	NO	A or C	A or C	N/A	
Cracked or Repaired Block*	YES	YES	NO	A or C	A or C	N/A	
Transmission Problem*	YES	YES	NO	A or C	A or C	N/A	
4X4 System Inoperable*	YES	YES	NO	A or C	A or C	N/A	
ABS Problem*	YES	NO	NO	A or C	N/A	N/A	
Emission Control Equipment Missing or Inoperable*	YES	NO	NO	A or C	N/A	N/A	
Air Conditioning System*	YES	NO	NO	A or C	N/A	N/A	
SRS - Missing or Problem with Airbags*	YES	NO	NO	B or C	N/A	N/A	
Hybrid or Electric Vehicle Battery Problems and/or Missing or Inoperable Battery Charger*	YES	YES	NO	A or C	A or C	N/A	
<b>Vehicle History Issues</b>							
Structural Damage/Certified Structural Repair or Replacement/Structural Alteration Per NAAA Structural Damage Policy	YES	YES	YES	B or C	B or C	B or C	
Inoperative Odometer	YES	YES	YES	B or C	B or C	B or C	
Not Actual Miles or True Miles Unknown	YES	YES	YES	30 Days	30 Days	30 Days	
Total Loss and/or Salvage Retention (By Insurance Records)**	YES	YES	YES	30 Days	30 Days	30 Days	
Theft Recovery/Stolen Vehicles (Including History)	YES	YES	YES	30 Days	30 Days	30 Days	
Bonded, Insurance and/or Salvage Titles (Including History)**	YES	YES	YES	30 Days	30 Days	30 Days	
Flood Damage (By Auction Inspection)	YES	YES	YES	30 Days	30 Days	30 Days	
Lemon Law/Manufacturer's Buyback**	YES	YES	YES	30 Days	30 Days	30 Days	
State-Issued VIN Plates (Including Kit Vehicles)	YES	YES	YES	B or C	B or C	B or C	
All Taxes and Livery Requiring Local or State Licenses and Law Enforcement Vehicles	YES	NO	NO	30 Days	N/A	N/A	
Previous Canadian Vehicles	YES	YES	YES	30 Days	30 Days	30 Days	
Grey Market Vehicles**	YES	YES	YES	30 Days	30 Days	30 Days	
Vehicles Being Sold with No Title (Bill of Sale Only)	YES	YES	YES	B or C	B or C	B or C	
Voided Factory Warranty	YES	NO	NO	30 Days	N/A	N/A	
Fuel Conversion	YES	YES	YES	B or C	B or C	B or C	
Non-Original Engine (Excludes Items Replaced Under Manufacturer's Warranty) Current Model Year and Up to 4 Model Years Old	YES	NO	NO	B or C	N/A	N/A	
Logo or Decal Misrepresentation	YES	YES	YES	B or C	B or C	B or C	
Biohazard Vehicles (Existing or Cleaned)	YES	YES	YES	A or C	A or C	A or C	
Flood Damage History (Discovered By DMV and/or Insurance Company Records)	YES	YES	YES	120 Days	120 Days	120 Days	
<b>Other Issues</b>							
Convertible Tops	YES	NO	NO	A or C	N/A	N/A	
Vehicle Accessory Problems* (Up to 4 Model Years Old)	YES	NO	NO	A or C	N/A	N/A	
Exterior Cosmetic Wraps that Exceed 50% of Vehicle Exterior Panels	YES	NO	NO	A or C	N/A	N/A	
Paintwork (3 Panels or More) on Current Model Year and Newer (Excludes Bumpers)	YES	NO	NO	A or C	N/A	N/A	
Vehicles Not Equipped With Air Conditioning (Excludes Vehicles 10 Model Years Old or Older)	YES	NO	NO	A or C	N/A	N/A	
Vehicles Being Sold With a Government Release for Title (i.e., 27A, SF-97-1 and etc.), CO, MSO, or Repo Affidavit Title (If Required By Law)	YES	YES	YES	7 Days After Receipt of Title	7 Days After Receipt of Title	7 Days After Receipt of Title	
Pending State or Local DMV Fees or Taxes Over \$100 Due On Vehicle (If Required By Law)	YES	YES	YES	7 Days After Receipt of Title	7 Days After Receipt of Title	7 Days After Receipt of Title	
Any Disclosure Required By Law	YES	YES	YES	7 Days After Receipt of Title	7 Days After Receipt of Title	7 Days After Receipt of Title	

**Time Period vs. Sale Channel Breakdown**

\*A\* Inlane-Sale Day Only      \*B\* Inlane-7 Calendar Days Only      \*C\* Online-Minimum industry standard = 7 calendar days. Timeframe may be extended per local auction policy.  
 \*\*Must disclose defects that are singularly \$800 or more to repair or replace      Arbitration claims initiated after the stated time period will be addressed via the depreciation formula described in "Title Arbitration Policy" (Paragraph 1).  
 \*\*\*These transactions may be subject to arbitration regardless of the stated time limits.      Sale Day = Day 1 for all timelines



*The Gold Standard*  
– Since 1948 –

# Arbitration Policy

Effective Date: April 3, 2023

## VIII. Structural Damage, Alteration or Certified Structural Repair or Replacement Policy

The purpose of the NAAA Structural Damage Policy is to define and clarify terminology associated with structural issues and to specify the disclosure requirements of the seller for vehicles offered at NAAA affiliated auctions. The policy is intended to provide adequate disclosure to the buyer for informed purchase decisions and to limit arbitrations for the seller. This policy, along with the main Arbitration Policy will serve as the primary criteria for all arbitration proceedings.

### 1. Definitions

- a. **Vehicle Structure**-The main load-bearing platform of a vehicle that gives strength, stability and design exclusivity and to which all other components of the vehicle are fastened. For purposes of this policy, there are three macro types:
  - i. **Unibody** - A type of structure whereby the floor pan assembly, roof bows/braces, pillars, etc. are bonded together into one unit, thereby eliminating the need for a separate conventional structure
  - ii. **Unibody on Frame**-A type of structure whereby a unitized structure is bolted to a conventional structure.
  - iii. **Conventional Structure**-A type of structure consisting of two symmetrical rails (beams) connected by various cross-members.

- b. **UVMS**-Used Vehicle Measurement Standard. The commercially acceptable measurement deviation from the vehicle's original structural specification in order for any deviation not to be considered structural damage.
- c. **Permanent Damage** (aka "Kinked" or "Broken")- The result of two or more objects striking or coming together at a significant change in velocity that permanently deforms the structural component(s) rendering it non-repairable per the manufacturer.

### 2. Recommended Disclosures

- a. **Structural Damage**-Damage to the structure or a specific structural component of the vehicle. Often referred to as frame damage, although it also applies to Unibody and Unibody on Frame structures in addition to Conventional Frame.
- b. **Certified Structural Repairs/Replacement**-Repairs to a specifically identified structural component of a vehicle that has been certified to be within the Used Vehicle Measurement Standard (UVMS).
- c. **Structural Alteration** -An alteration to the vehicle's structure including a lengthened or shortened frame, a modified suspension, or the installation or removal of after-market accessories.



*The Gold Standard*  
– Since 1948 –

# Arbitration Policy

Effective Date: April 3, 2023

## 3. Seller Disclosure Requirements

Sellers must disclose permanent structural damage, any structural alterations, structural repairs or replacements (certified or non-certified) as outlined in this policy prior to selling a vehicle at auction regardless of sales channel or light condition. Disclosures are required for the following:

- a. Any/all existing permanent (non-repairable aka kinked or broken) structural damage as defined in this policy
- b. Improper and/or substandard prior repairs (not meeting OEM repair guidelines)
- c. Repairs not certified using OEM guidelines or to be within the UVMS Improper alterations to the structure Lengthened or Shortened structure verified by visual inspection.
- d. Altered suspension that requires the structure to be modified from its OEM form.
- e. After-market accessories installed or removed to the structure.
- f. Towing packages installed (or removed) where new holes are drilled, OEM holes are enlarged, or if the towing package is welded or brazed to the structure.
- g. Multiple access holes (regardless of size) or singular access holes greater than 5/8". Access holes between 1/4" and 5/8" are subject to disclosure based upon location and condition of structural component.
- h. Corrosion of structural components determined by one or more of the following; when the substrate loses its shape, the original bonds near the affected area are loose or are no longer in existence, the original thickness of the substrate has been changed by more than 25%, the affected area no longer possesses its absorption or deflection properties.
- i. Structural tear damage (i.e. transport tie down) if more than 1" in length (measured from tear start/stop points)
- j. Damage due to improper jacking or lifting that permanently deforms structural components outlined in this policy.
- k. Damage due to contact with parking abutments and/or road debris that permanently deforms structural components outlined in this policy.
- l. Roof bows/braces that have been modified, have existing permanent damage or removed. A replaced roof skin is not a required disclosure in terms of the Structural Damage Policy.
- m. The C pillar/quarter or Cab panel may or may not be a structural component(s) as per the vehicle manufacturer.





*The Gold Standard*  
– Since 1948 –

# Arbitration Policy

Effective Date: April 3, 2023

## 4. Arbitration Rules for Structural Damage, Alteration, Certified Repairs or Certified Replacement

- a. A vehicle may be arbitrated if it has undisclosed existing permanent damage alteration, Certified Repairs or Certified Replacement, which should have been disclosed under this policy, even though the vehicle is within the UVMS. If a structural issue is properly disclosed, the vehicle may only be arbitrated for improper repair of the designated area, existing permanent damage or repairs to other areas of the vehicle not disclosed, or for failure to be within the UVMS that was verified by visual inspection.
- b. Damaged or replaced radiator core supports or rear body panels do not require a structural disclosure under this policy.
- c. Damage to the aprons, rail floor pan assembly, inner wheelhouse (upper or lower), D pillar (if equipped) or other ancillary structural components on a unitized structure in the area where the radiator core support or rear body panel attaches will require a disclosure if permanent damage exists.
- d. Brazed exhaust hangers are not a required disclosure under this policy.
- e. Facilitating auction will, at its discretion, have a vehicle measured according to the UVMS at a facility of its choice. Prior to sending the vehicle for measurement, the auction reserves the right to complete a visual verification of the physical condition of the vehicle to determine that it should be measured. If the measuring facility determines that the vehicle is within the UVMS, the buyer of the vehicle will be responsible for the charges paid to the facility. Likewise, if the measuring facility determines that the vehicle is not within the UVMS, the seller will be responsible for the charges paid to the facility.
- f. Visual evidence supersedes any/all mechanical or electronic measurements.
- g. For measurements according to the UVMS, the following guidelines will apply:
  - i. The vehicle structure must measure to a total tolerance of no more than +/- 8 millimeters (mm) of published specification of length, width and height at control points that capture the front (2), center (4) and rear (2) sections of the vehicle.
  - ii. Symmetrically (comparative measure from side to side and point to point based on point measurement), the length, width and height must measure to a difference of no more than 6 mm. Upper body measurements (tram gauge) by themselves will not be adequate.
- h. Buyer must arbitrate any/all structural misrepresentations as outlined in this policy within published timelines (outlined in the main Arbitration Policy Guidelines) from date of purchase (purchase day counts as Day One).
- i. The buyer must contact and follow the arbitration process of the auction where the vehicle was purchased including the auction's direction for return of the vehicle and the timeframe allowed for the vehicle to be returned.
- j. In the event of improperly disclosed structural damage by the seller, the buyer will be entitled to reimbursement in accordance with the main Arbitration Policy.



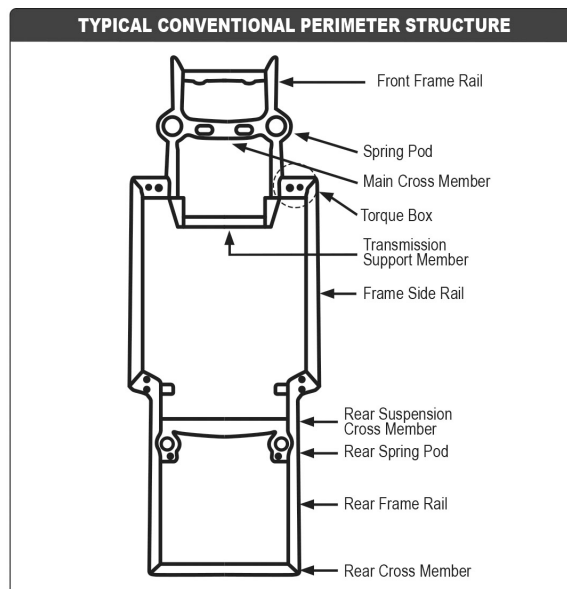
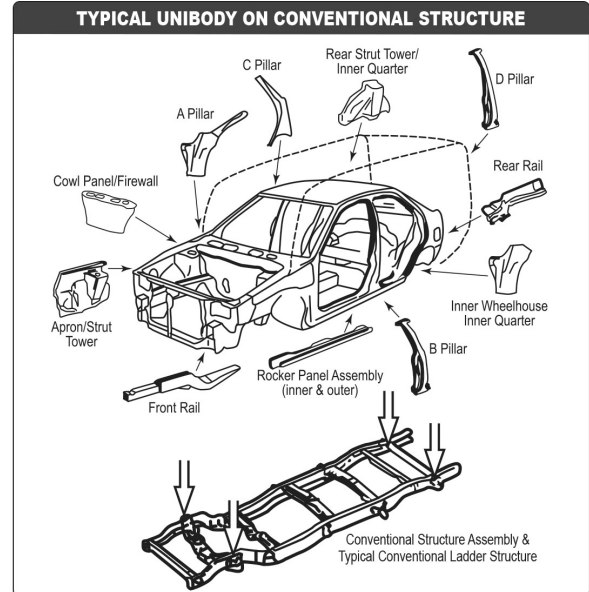
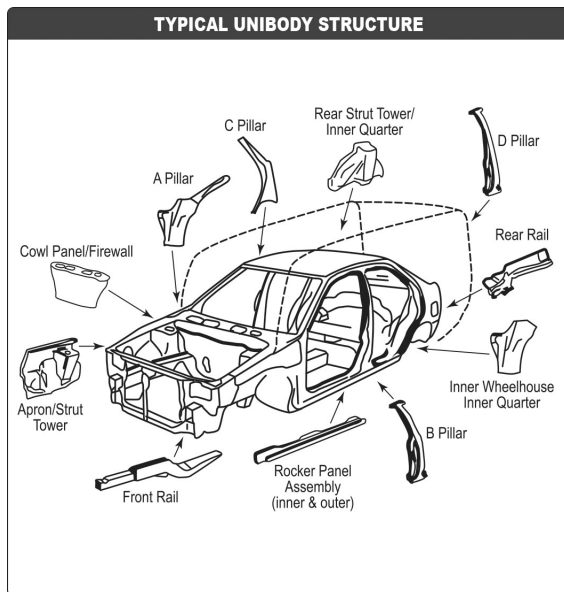
The Gold Standard  
- Since 1948 -

# Arbitration Policy

Effective Date: April 3, 2023

Structural Components	Structural Damage Disclosure Requirement		
	Unibody	Unibody on Conventional Structure	Conventional Structure
1. <b>Frame Rails</b> (Including Front, Center and Rear Rails)	Existing Permanent Damage, Removed, Modified, Repaired or Replaced		
2. <b>Spring Pod, Torque Box or Stabilizer Mount</b>	N/A	Existing Permanent Damage, Removed, Modified, Repaired or Replaced	
3. <b>Cross Members</b> (Except Bolt-On)	Existing Permanent Damage, Removed, Modified, Repaired or Replaced		
4. <b>Apron Assembly</b>	Existing Permanent Damage, Removed, Modified, Repaired or Replaced		N/A
5. <b>Strut Tower Assembly</b>	Existing Permanent Damage, Removed, Modified, Repaired or Replaced		N/A
6. <b>Cowl Panel/Firewall</b>	Existing Permanent Damage, Removed, Modified, Repaired or Replaced		N/A
7. <b>Support Pillars</b> (Includes A, B, C*, D)	Existing Permanent Damage, Removed, Modified, Repaired or Replaced		
8. <b>Roof Braces/Bows</b>	Existing Permanent Damage, Removed, Modified, Repaired or Replaced		
9. <b>Rocker Panel</b> (Outer)	Replacement Only		N/A
10. <b>Rocker Panel</b> (Inner)	Existing Permanent Damage, Removed, Modified, Repaired or Replaced		N/A
11. <b>Floor/Trunk Panels</b>	Tears 1" or More, Existing Permanent Damage, Removed, Modified, Repaired or Replaced Panels		N/A
12. <b>Quarter* or Cab* Panel</b>	Replacement Only		N/A
13. <b>Inner Quarter Panel Assembly</b> (Includes Inner Wheelhouse Panel, Rear Strut Tower, and Wheelhouse Extension Lower)	Existing Permanent Damage, Removed, Modified, Repaired or Replaced		N/A

\* Only Applies to Components Deemed Structural Per the Vehicle Manufacturer.







*The Gold Standard*  
– Since 1948 –

# Arbitration Policy

Effective Date: April 3, 2023

## Flood, Damage Policy

Vehicles are frequently exposed to moisture during their ordinary operation, maintenance, and reconditioning. Occasionally, such exposure may leave residual marks or indicators similar to those left by exposure or immersion of the vehicle in floodwater. In determining what conditions require disclosure or in arbitrating vehicles for flood exposure/damage it is critical that the total condition of the vehicle be considered including VIN data history. Disclosure requirements can be found in Appendix I.

### 1. Disclosure Not Required

No disclosure is required nor is arbitration allowed for the following types of water exposure, provided that none of the components outlined below are damaged:

- a. Rain, snow or sleet due to open windows, doors or tops or leaking seals.
- b. Car wash or rinse water.
- c. Carpet or upholstery shampooing or cleaning.
- d. Stream, pond, puddle or floodwater that does not rise above the rocker panel or otherwise enter the passenger compartment.
- e. Stream, pond, puddle or floodwater that enters the luggage compartment, but does not damage any electrical components (such as lighting or wiring harness) or does not enter the passenger compartment.

### 2. Disclosure Required

Disclosure is required and arbitration shall be allowed under the following conditions:

- a. The title has been correctly branded indicating flood history of the vehicle.
- b. Any of the following components have been damaged due to stream, pond, puddle or floodwater immersion/ingress:
  - i. Front or rear internal lighting or wiring harnesses
  - ii. Engine and its major components
  - iii. Transmission and differential
  - iv. Dash instrument panel and wiring
  - v. Passenger seat cushions
  - vi. Power seat functions or window motor
  - vii. Major sound system components



*The Gold Standard*  
– Since 1948 –

## **Position Statement on Chip Shortage**

### **Effective April 3, 2023**

Due to global supply chain challenges and the related impact on new vehicle production, stated options may not be fully operable on certain late model vehicles. Therefore, the lack of functionality due to missing or substituted OEM chips will not be subject to arbitration.



*The Gold Standard*  
– Since 1948 –

## **Position Statement on Subscription Services**

### **Effective April 3, 2023**

The auction does not guarantee the transferability of options, equipment, or software services that are based on owner or user subscriptions or fee-based agreements. (i.e., Auto Pilot, Self-Driving, Satellite Radio, etc.) Furthermore, any required technical or software updates are the responsibility of the Buyer and not subject to arbitration.

## Advanced Driver Assist System Position Statement Updated April 3, 2023

As more vehicles come equipped with Advanced Driver Assist Systems (ADAS) a specialized inspection and/or calibration may be needed during the lifetime of the vehicle.

These systems include but not limited to the following:

- Rear camera
- Rear parking sensors
- 360 camera systems
- Blind spot detection
- Lane departure warning
- Adaptive cruise control
- Collision warning
- Lane keep assist
- Backup Assist
- Autonomous driving function

These needs fall outside the scope of inspection for the Generic Condition Report due to the nature of both detection and troubleshooting being mechanical.

Due to safety concerns, the NAAA Auction Standards Committee recommends any/all ADAS related concerns be investigated by a qualified 3<sup>rd</sup> party (as determined by Auction company representative) outside the auction property.

All costs including transportation to and from location, diagnosis and any/all repairs or replacements will be responsible by seller and/or buyer depending on the outcome of the 3<sup>rd</sup> party's diagnosis.

**As with other mechanical defects, sellers must disclose ADAS related defects that are singularly \$800 or more to repair or replace.**

Refer to Appendix I in the Arbitration Policy for Arbitration Timelines.